



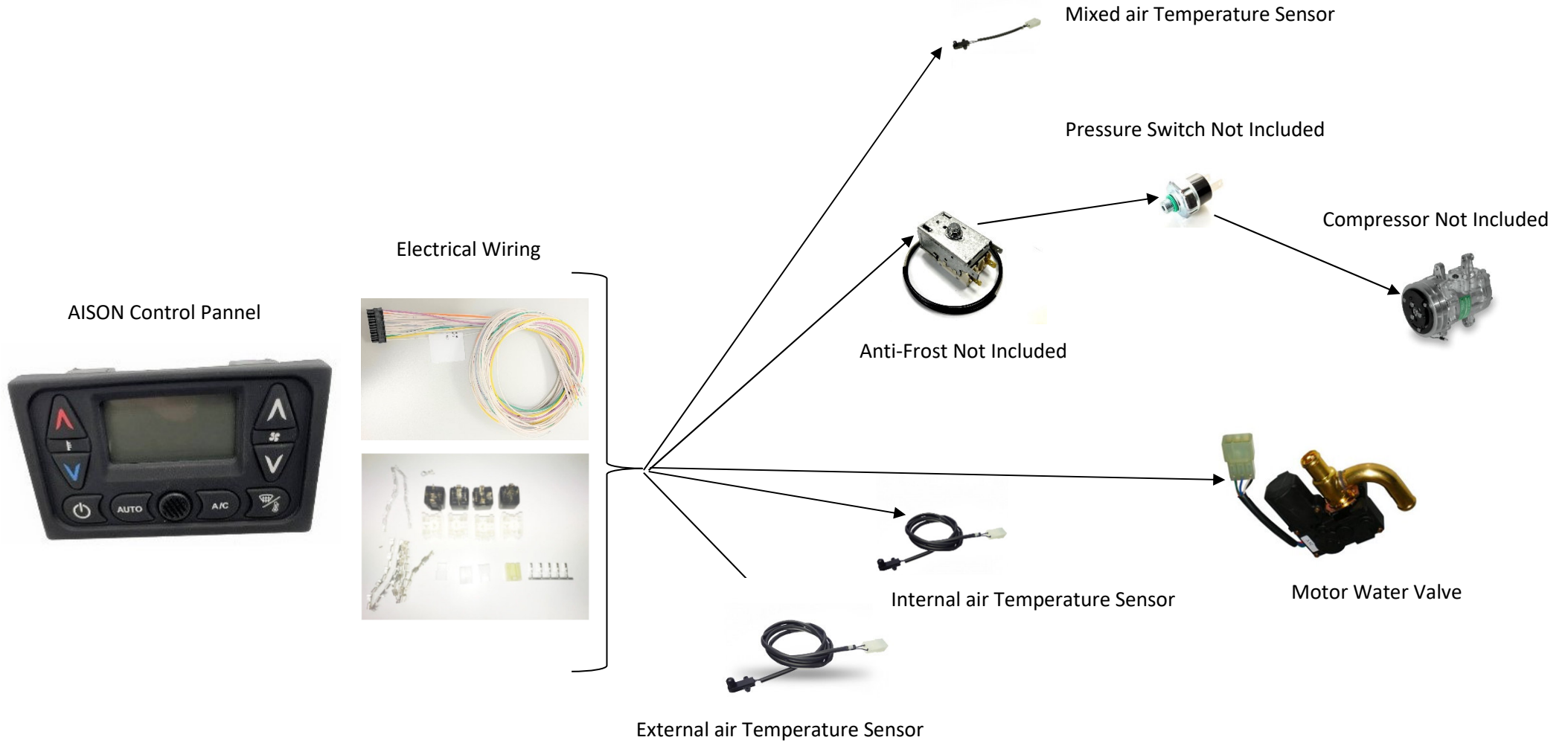
HDL AISON HVAC CONTROL PANNEL

CODICE: U15CE Version 12 Volt

CODICE: U16CE Version 24 Volt

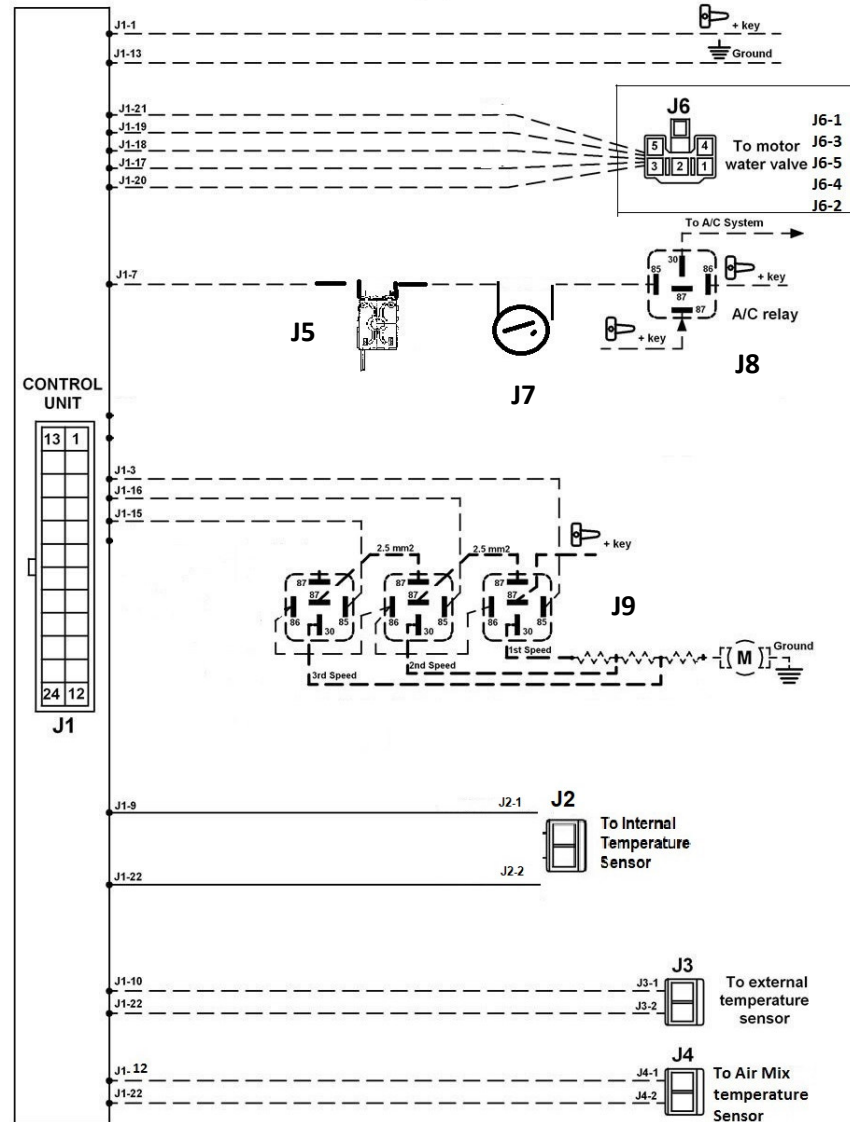
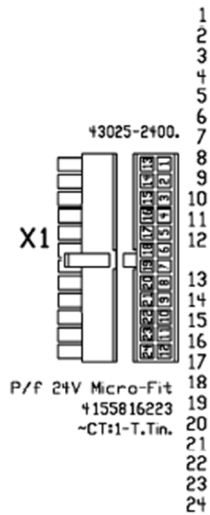


AISON CONTROL PANNEL



WIRING DIAGRAM

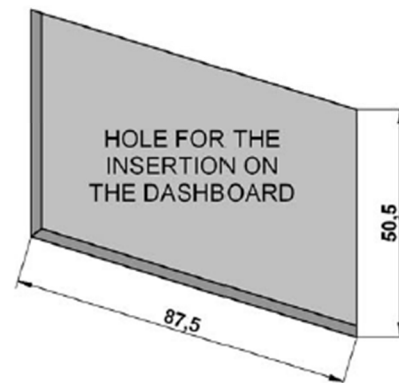
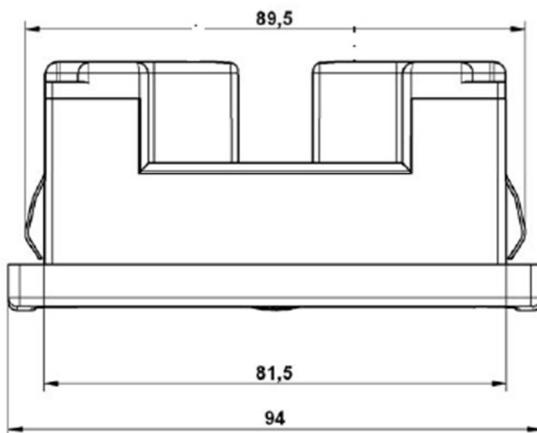
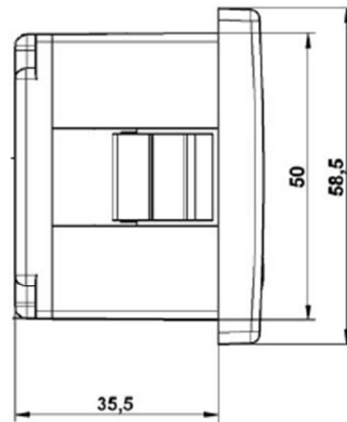
Connettore 24 vie per AISON
24 Way for AISON Connector



HOLE FOR THE INSERTION ON THE DASHBOARD



AISON HDL DIMENSIONS



ELECTRICAL WIRING LEGEND

RIF.	DESCRIPTION	DESCRIZIONE
J1	Control Pannel AISON	Pannello di Controllo AISON
J4	Mixed air Temperature Sensor	Sensore aria miscelata
J3	External air Temperature Sensor	Sensore aria esterna
J2	Internal air Temperature Sensor	Sensore aria interna
J6	Motor Water Valve	Valvola acqua motorizzata
J5	Anti-Frost Thermostat (Component not included in the kit code U15CE-U16CE)	Termostato antibrina (Componente non incluso nel kit codice U15CE-U16CE)
J7	Binary Pressure Switch (Component not included in the kit code U15CE-U16CE)	Pressostato Binary (Componente non incluso nel kit codice U15CE-U16CE)
J8	Relay AC Compressor	Relais Compressore AC
J9	Fan Speed Relay	Relais velocità Ventilatore

THE KIT INCLUDES

Q. TA'	CODE	DESCRIPTION	DESCRIZIONE
1	029031	Control Pannel AISON	Pannello di controllo AISON
1	028303	Electrical Wiring (24-way micro fit connector X1 included)	Cablaggio elettrico (Connettore X1 micro fit 24 vie incluso)
1	068075	Mixed air Temperature Sensor	Sonda aria miscelata
1	068074	External air Temperature Sensor	Sonda aria esterna
1	068076	Internal air Temperature Sensor	Sonda aria interna
1	029011	Motor Water Valve 12 Volt For Code: U15CE	Valvola acqua motorizzata 12 volt per codice U15CE
	029011.1	Motor Water Valve 24 Volt For Code: U16CE	Valvola acqua motorizzata 24 volt per codice U16CE
4	066002	12 Volt relay for code U15CE	Relais 12 Volt per codice U15CE
	066002.1	24 Volt relay for code U16CE	Relais 24 Volt per codice U16CE
4	067003	Relay door	Porta relais
28	062010.1	Female crimp terminal	Terminale Femmina a grimpare
2	062023.1	2-way connector	Connettore 2 vie
1	062022.1	2-way connector	Connettore 2 vie
1	062089	5-way connector	Connettore 5 vie
6	062090	Grimping terminal	Terminale a grimpare

MASI

CONDITIONERS

Via A. Gramsci, 20/A – 40062 Molinella (BO)

Tel : +39.051.88.12.27 Mobile: +39.333.994.25.81

www.masicondioners.com e-mail info@masicondioners.com